



Flex Gen4 PTZ

Keep the Future in View with Pan-Tilt-Zoom



Large Field of View with 360° Coverage

Control larger field of view with Pan-Tilt-Zoom. Built in 656ft (200m) IR (outdoor only) provides high quality images for 24x7 operation



Intelligence at the Edge

Reduced false alarms, faster investigations and accurate detection of events with deep learning AI



Auto-Tracking Capabilities

Auto-tracking adjusts field of view to follow person through camera range for simplified camera operation



Open Standard Support

ONVIF conformance provides open, consistent and reliable standard. Fully interoperable with multiple video management platforms including American Dynamics and Exaccq



Encrypted Data Transfer End-to-End

Protection against data misuse with full encryption from camera to recorder/SD card



Cyber Secure

Meet evolving cyber challenges with resilient and NDAA-compliant camera

Specifications

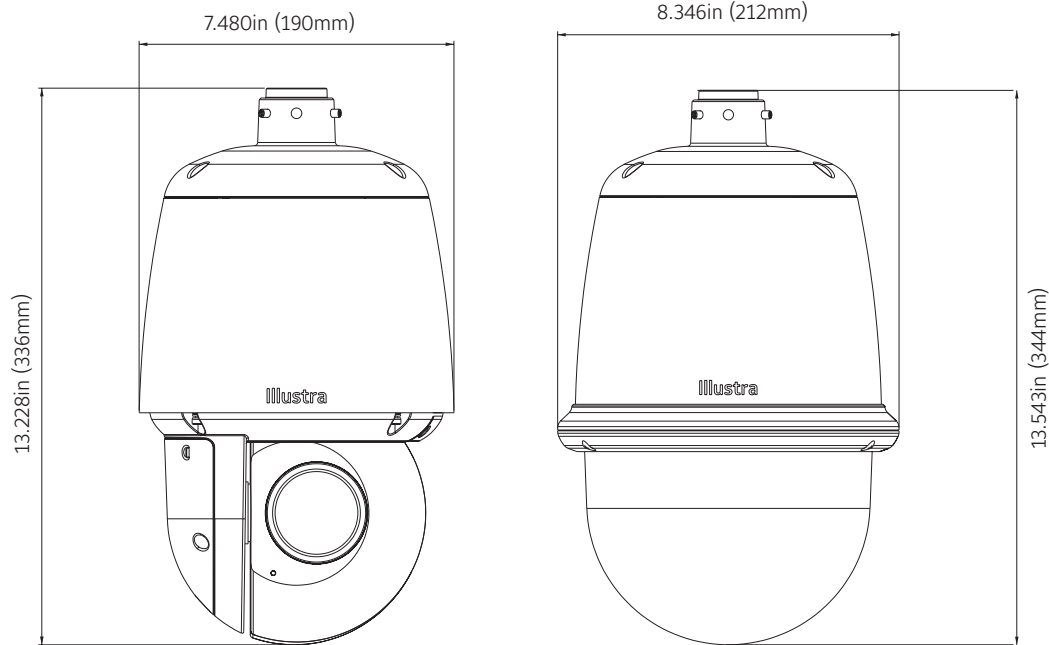
Operational	2MP	4MP
Camera		
Image Sensor	Sony 1/2.8" Progressive Scan CMOS imager	Sony 1/2.8" Progressive Scan CMOS imager
Lens	4.5 mm – 135 mm, MFZ, P-iris F/1.4(W) – F/4.4(T)	5.2 – 156mm, MFZ, P-iris F/1.3(W) – F/4.8(T)
	One touch auto focus, manual, and automatic focus with zoom	
Field of View (FoV)	H: 59.8° – 2.34° V: 40.5° – 1.48°	H: 58.1° – 2.34° V: 40.5° – 1.48°
Day/Night	True Day/Night CF removal	
Minimum Illumination	Indoor/Outdoor with IR Color: 0.01 lux, B/W: 0.007 lux IR on: 0 lux	Indoor/Outdoor with IR Color: 0.06 lux, B/W: 0.02 lux IR on: 0 lux
	Indoor with bubble Color: 0.02 lux, B/W: 0.01 lux	Indoor with bubble Color: 0.1 lux, B/W: 0.02 lux
Electronic Shutter Control	Automatic, Manual (1/4 to 1/32000 sec)	
IR Illumination* <i>*IR models only</i>	850 nm LEDs, Adaptive/Smart IR Outdoor: 200 m (656 ft) Indoor: 50 m (164 ft)	
Memory	1024 MB RAM, 4096 MB Flash	
Pan/Tilt/Zoom	Pan: 360° continuous endless, 0.04° – 300°/s Tilt: +15° to -90°, 0.04° – 180°/s (indoor/outdoor with IR) Tilt: -15° to -90°, 0.04° – 180°/s (indoor with bubble) Zoom: 30x optical, 12x digital, total 360x zoom Auto flip, 300 presets, 96 sequences, 16 programmable pattern, Apple peel, adjustable zoom speed, home position (Preset, Pattern, Sequence, or Scan after no PTZ activity)	
Video		
Bandwidth Management	IntelliZip® Smart Codec	
Video Compression	H.264/H.265/MJPEG H.264 IntelliZip® / H.265 IntelliZip®	
Bitrate Control	CBR/VBR/CVBR (configurable)	
Max Resolution (HxV) & Aspect Ratio	16:9: 1920 x 1080 (2MP) to 480x272	4:3: 2560 x 1920 (5MP) to 480x272
Max Frame Rate (60 Hz/50 Hz)	2MP: 60/50 fps	2MP: 60/50 fps 5MP: 30/25 fps
Video Streams	Triple Streaming with a maximum of 5 concurrent shared streams (per sensor)	
Dual Full HD Video Stream	Supported	
Dynamic Range	True multi shutter WDR up to 120dB Off, SmartWDR, TWDR, TWDR 3x	
SmartDefog	Supported	
Picture Settings	Auto Exposure: Multiple Profiles (incl Auto, Gaming, LPR), Multiple ROI (incl AI ROI: Object, Person), Gain Control (Auto, Max, Manual), Flickerless, White Balance (Auto Normal, Auto Wide, Manual), text overlay	
Image Orientation	None, Mirror, Flip, Flip and Mirror Corridor Mode (rotate 90° right or left)	
Privacy Zones	10 user definable rectangular zones	
Image Stabilization	Electronic Image stabilization (EIS) by using gyro sensor	
Analytics		
AI Object Classification	Classes: Person, Bicycle, Bus, Car, Motorbike, Train, Truck, Any Class Rules: Object Detected, Perimeter, Linger, Dwell, Abandoned/Removed, Enter, Exit, Crowd, Queue, Direction, Tripwire Sub-Classes: Person Clothing Color (Upper, Lower), Vehicle Color	
AI Business Intelligence	People Counting	
AI Tamper Detection	Blackout, Whiteout, Scene Change (FoV tamper)	
AI Blur Detection	Supported	
AI Metadata	Supported	
Motion Detection Zones	Yes (Single Full screen Zone)	
Intelligent Guard (Auto Tracking)	Person Tracking	
Network		
Network	IEEE 802.3, 10/100Base-T Ethernet, RJ45, auto sensing	
Cyber security	ISASecure ISA/IEC 62443-4-1 certified secure development Secure boot Signed and encrypted firmware	

Authentication and Security	TLS, HTTPS (HTTP over TLS), WS-Security, Certificate Management, Multi-level password protection, IP address filtering, HTTPS encryption, Enhanced Security (One-Click Security Hardening), User Access Log, Validate Complex Credentials, Disabling Unused Protocols, IEEE 802.1x (PEAP, EAP-TLS, EAPoL), Brute force delay protection
Protocols	TCP/IP, IPv4, IPv6, TCP, UDP, HTTP, FTP, DHCP, WS-Discovery, DNS, DDNS, RTP, RTCP, RTSP, TLS, Unicast, Multicast, NTP, ICMP, IGMP, SMTP, WS-Security, IEEE 802.1x, PEAP, EAP-TLS, EAPoL, SSH, HTTPS, SOAP, WS-Addressing, CIFS, UPNP, LLDP, SIP, ARP, EAP-LEAP, QoS
Network management	SNMPv1/v2c/v3(MIB-2)
Simultaneous users	10 users
System Integrations	
Application Programming Interface	ONVIF Profile S, G, T, M conformant Illustra iAPI via Connected partner program
Event Triggers	Motion Detection, Tamper & Blur Detection, AI Object classification, Alarm Input, Network Loss, Periodic Event, Temperature
Event Actions	Record to SD card, Snapshot, SMTP e-mail file transfer, FTP file transfer, CIFS, Auxiliary output, Audio clip playback, SIP Call
Audio compression	G.711 μ -law
Audio Input/Output	Bi-directional, 1x Line input and 1x Line output
External I/O Terminals	2x Alarm In and 2x Alarm Out
Peripherals	
Onboard Storage	microSDXC slot, Class 10 or better, upto 2TB supported (Card not included). Pre event / Post event 1- 10 sec Encrypted storage and streaming TrickleStor offline recording and backfilling
Wireless configuration	Micro USB via optional USB Wi-Fi Dongle IA-KIT-WD-UUA
Electrical	
Power	Outdoor: IEEE 802.3bt PoE++ Type 4 Class 7 24VAC 48VDC PoE/24VAC: 51.6W; 48VDC: 48.5W
	Indoor with IR: 802.3at PoE+ Type 2 Class 4 24VAC 48VDC PoE/24VAC: 25.2W 48VDC: 22.5W
	Indoor with bubble: 802.3at PoE+ Type 2 Class 4 24VAC 48VDC PoE/24VAC: 18W 48VDC: 18W
Dual Power Redundancy	Supported
Physical	
Operating Temperature	Outdoor: -40°C (-40°F) to +65° C (149°F) (IR off at +60° C/140° F) Start-up temperature: -40°C (-40°F)
	Indoor: -20°C (-4°F) to +60° C (140°F) Start-up temperature: -20°C (-4°F)
Humidity	up to 95% RH, Non-Condensing
Casing	IP66, NEMA 4x and IK10 rated Housing: Aluminum alloy Dome: Polycarbonate (applicable to Indoor with bubble only) Color: Signal White Pantone RAL 9003
Physical dimensions	Outdoor & Indoor: \varnothing 190 x 336mm (\varnothing 7.48 x 13.23 in) Bubble PTZ: \varnothing 212 x 344mm (\varnothing 8.35 x 13.54 in)
Weight	Outdoor: Net 5.8 kg (12.79 lbs), Gross 7.5 kg (16.53 lbs) Indoor with IR: Net 5.1 kg (11.24 lbs), Gross 7.5 kg (14.99 lbs) Indoor with bubble: Net 6.6 kg (12.79 lbs), Gross 7.5 kg (18.30 lbs)
Regulatory	
EMC	BS/EN 55032 Class A, FCC Part 15 Class A; EN55032 Class A; AS/NZS CISPR 32 Class A; ICES-003/NMB-003 Class A, IEC/BS/EN 61000-3-2, BS/EN 61000-3-3, BS/EN 50130-4, IEC 61000-4-2/3/4/5/6/11
Safety	CAN/CSA C22.2, BS/EN 62368-1, UL 62368-1, AS/NZS 62368-1, J62368-1, CEI EN 62368-1, EN50121-4, EN60950-1, UL60950-1, IEC 60950-1, CSA 22.2 No. 60950
Environmental	NEMA 250 Type 4X, IEC 62262 (IK10), IEC 60529 (IP66), EU RoHS (2011/65/EU), EU Reach (EC 1907/2006), EU POP compliance, Calif Prop 65, WEEE, MSDS
General	
Web Browsers	Microsoft Edge, Firefox, Safari, Chrome
Language	Arabic, Chinese (Simplified), Chinese (Traditional), Czech, Danish, English (default), French, German, Hungarian, Italian, Japanese, Korean, Netherlands, Polish, Portuguese, Russian, Spanish, Swedish, Turkish
NDA Compliant	Yes
TAA Compliant	Yes
Warranty	5 Years

Camera Dimensions

Flex Gen4 IR PTZ

Flex Gen4 Bubble PTZ



Ordering Information

Model Number	Sales Description
IFS02-P07-ATA4	Illustra Flex Gen4 2MP PTZ, Edge AI, TDN, TWDR, Indoor, Smoked Bubble
IFS02-P07-IIA4	Illustra Flex Gen4 2MP PTZ, Edge AI, TDN w/IR, TWDR, IK10, Indoor
IFS02-P07-OIA4	Illustra Flex Gen4 2MP PTZ, Edge AI, TDN w/IR, TWDR, IP66, IK10, Outdoor
IFS04-P07-ATA4	Illustra Flex Gen4 5MP (4:3)/4MP (16:9) PTZ, Edge AI, TDN, TWDR, Indoor, Smoked Bubble
IFS04-P07-IIA4	Illustra Flex Gen4 5MP (4:3)/4MP (16:9) PTZ, Edge AI, TDN w/IR, TWDR, IK10, Indoor
IFS04-P07-OIA4	Illustra Flex Gen4 5MP (4:3)/4MP (16:9) PTZ, Edge AI, TDN w/IR, TWDR, IP66, IK10, Outdoor

Accessories

Model Number	Description
IFPTZWRECM2	Recessed mount
IFIRPTZC2X2	Ceiling mount
RHOSW	Wall Mount, 1 1/2" NPT, short (11"), white
RHOLW	Wall Mount, 1 1/2" NPT, long (23"), white
RHOTR	Over the roof mount
ROTRF	Over roof mount, 1 1/2" NPT, white
RHOWCA	Corner Adapter (use with RHOxW)
RHOWPA	Pole Adapter (use with RHOxW)
RHOPN	Allows an outdoor housing to be suspended from outdoor ceiling or horizontal surface
ROENDC	End cap for RHOxW mounts
IFS02P6ISBBL	Non-vandal smoked bubble (compatible with IFS02-P07-ATA4 / IFS04-P07-ATA4)
IFS02P6ICBBL	Non-vandal clear bubble (compatible with IFS02-P07-ATA4 / IFS04-P07-ATA4)
IA-POE-90-U00	90w PoE injector
IA-KIT-WD-UUA	Illustra Wi-Fi dongle kit

Accessory Chart

