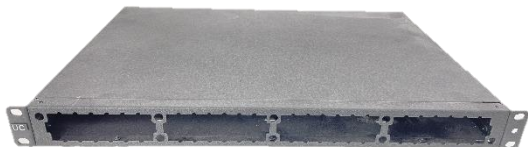


## UC 1RU Patch Panel 9510, Fixed Type, Empty



- Light weight
- Sleek design & feeling
- Water paint
- Easy fix up to 4 adaptor panels or 4 module cassettes
- Abrasion resistance
- Highly durable
- Up to 96 fibres
- Optional with cable management

(Only for reference)

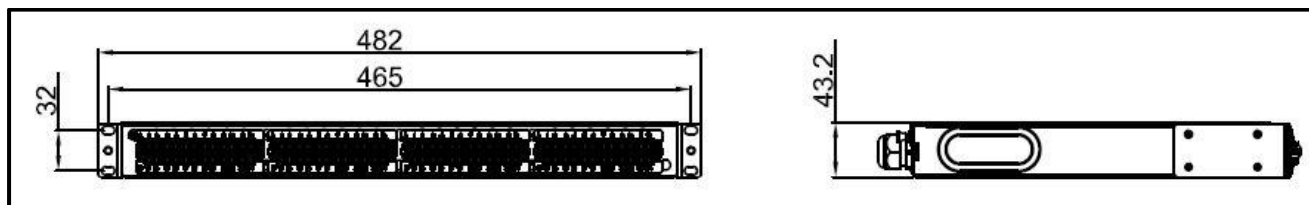
### Application

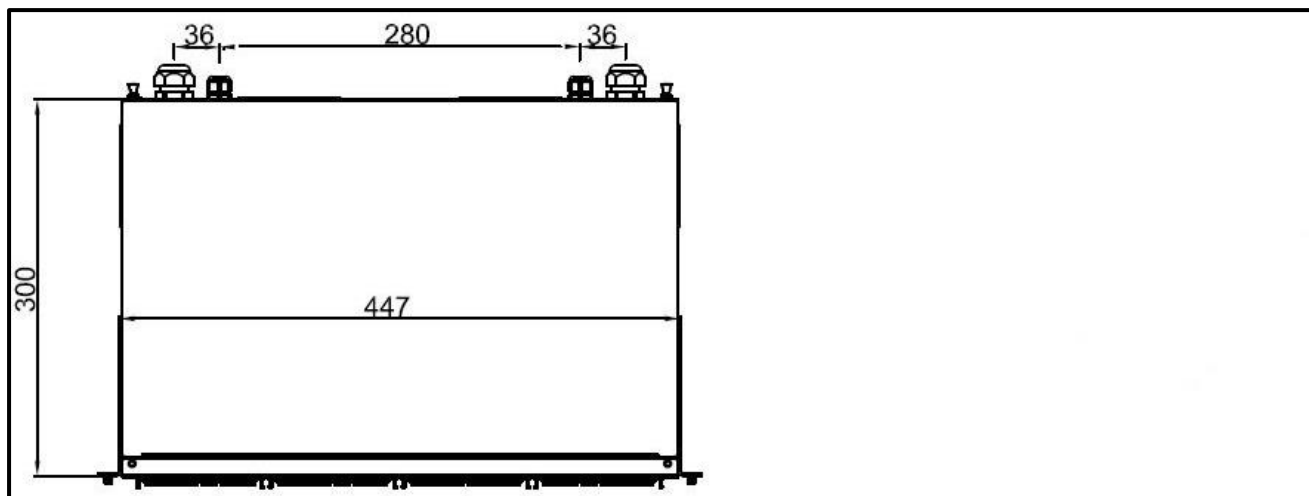
This patch panel are used to house and organize the trunk fiber optic cable, compatible with MPO-LC cassettes, fiber adaptor panels and patch cords. Easy access from front and rear, Panels has 4 slots, which can install 4 adaptor panels and 4 module cassettes, including LC, SC ST, FC adaptor. It is ideal for fast and reliable patch solutions within main, horizontal and equipment distribution areas.

### General Specifications

Item	Description
Material	SPCC (Cold rolled steel plate)
Matrix	Thickness = 1.2 mm
Cover	Thickness = 1.2 mm
Dimension	H x W x D = 1RU x 482 mm x 300 mm
Weight	Approximate 3.26 kg (empty)
Surface Finishing	Powder paint

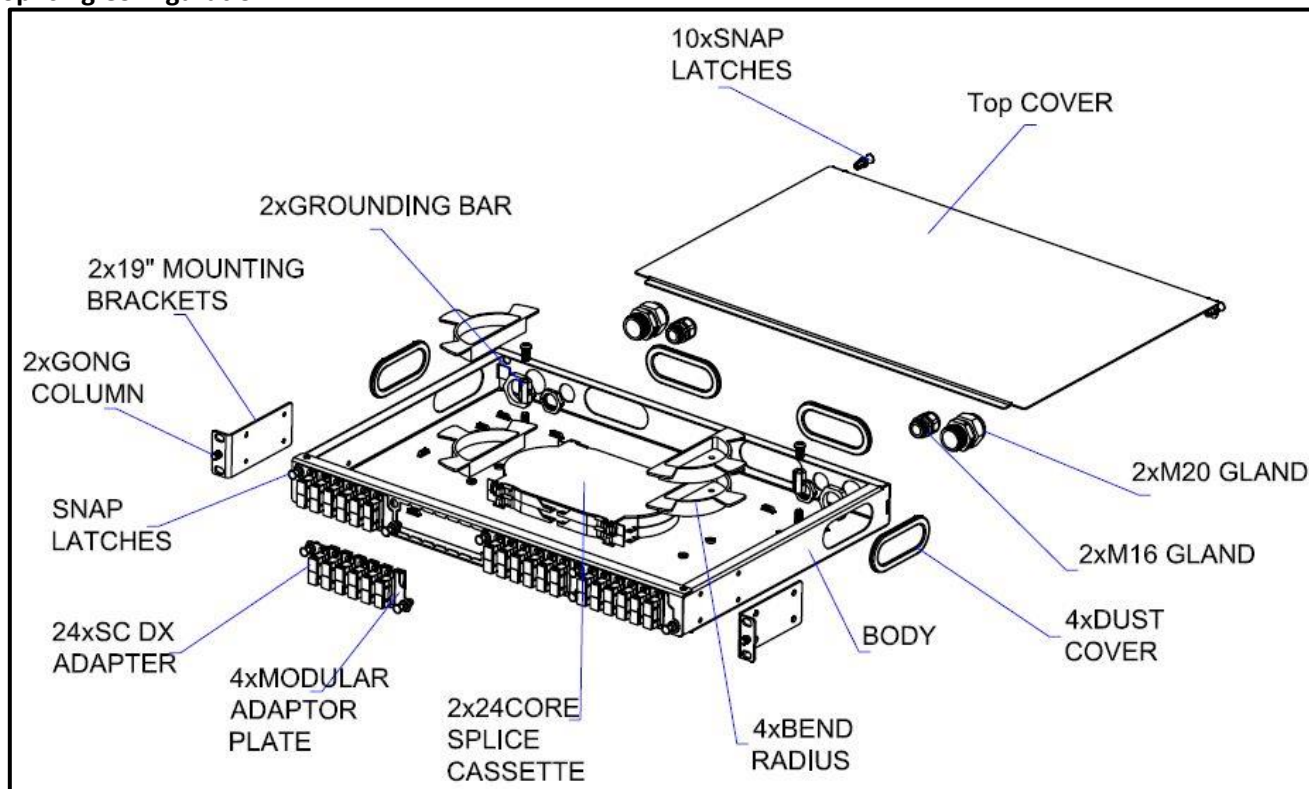
### Construction



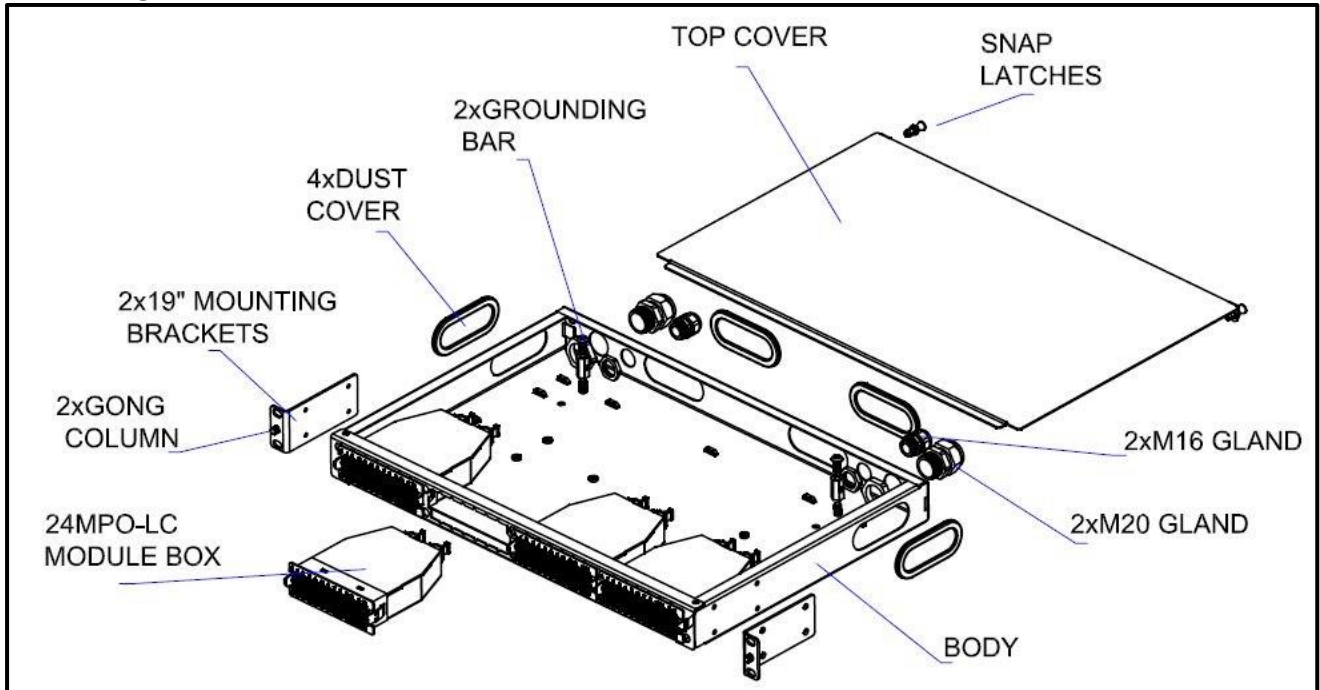


**Configuration**

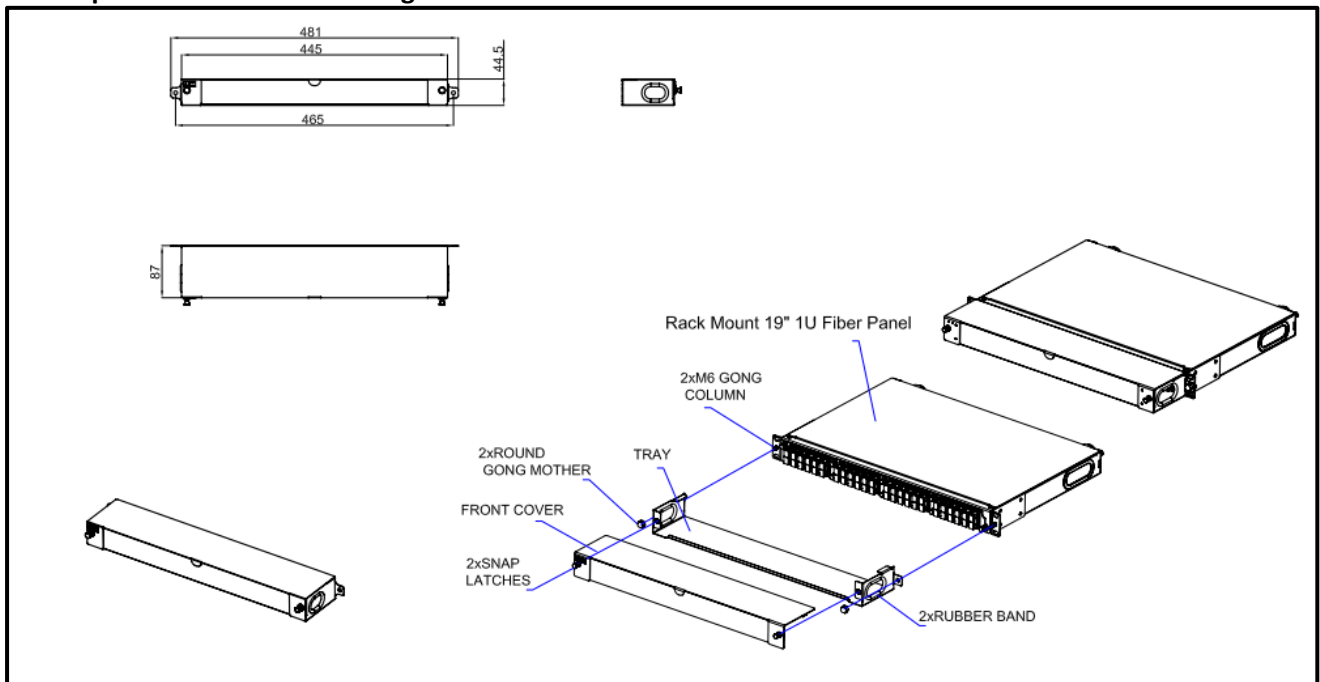
**Splicing Configuration:**



**MPO Configuration:**



**With Optional Front Cable Management:**



## Ordering Information

UC Part Number	SAP1C	Description	Weight (g)	Packaging
PP9510	YPMBP02543	DRAKA UCCONNECT FIBRE OPTIC PATCH PANEL FLAT TYPE 19" 1U 4 SLOT EMPTY BLACK UC9500 SERIES	3260	1 set / box
<b>Related Products</b>				
PP9510-CMT	TBC	DRAKA UCCONNECT FRONT CABLE MANAGEMENT FOR PP9510	500	1 set / box
PPA9515-0	YAPBP02679	DRAKA UCCONNECT FIBRE OPTIC FRONT PANEL PP9500 FLAT 1 SLOT 1U BLANK INSERT ADAPTOR TYPE	40	8 pcs / plastic box
PPA9514-6	YAPBP02645	DRAKA UCCONNECT FIBRE OPTIC FRONT PANEL PP9500 FLAT 1 SLOT 1U EMPTY BLACK 6 PORT LC DUPLEX / SC SIMPLEX	28	8 pcs / plastic box
PPA9514-6LCSM	YAPBP02672	DRAKA UCCONNECT FIBRE OPTIC FRONT PANEL PP9500 FLAT 1 SLOT 1U LOADED BLUE 6 PORT LC DUPLEX SM UPC	37	4 pcs / plastic box
PPA9514-6LCM2	TBC	DRAKA UCCONNECT FIBRE OPTIC FRONT PANEL PP9500 FLAT 1 SLOT 1U LOADED BEIGE 6 PORT LC DUPLEX OM1 & OM2 UPC	37	4 pcs / plastic box
PPA9514-6LCM3	YAPBP02674	DRAKA UCCONNECT FIBRE OPTIC FRONT PANEL PP9500 FLAT 1 SLOT 1U LOADED AQUA 6 PORT LC DUPLEX OM3 UPC	37	4 pcs / plastic box
PPA9514-6LCM4	YAPBP02673	DRAKA UCCONNECT FIBRE OPTIC FRONT PANEL PP9500 FLAT 1 SLOT 1U LOADED VIOLET 6 PORT LC DUPLEX OM4 UPC	37	4 pcs / plastic box
PPA9514-6SCSM	YAPBP02943	DRAKA UCCONNECT FIBRE OPTIC FRONT PANEL PP9500 FLAT 1 SLOT 1U LOADED BLUE 6 PORT SC SIMPLEX SM UPC	37	4 pcs / plastic box
PPA9511-6	YAPBP02675	DRAKA UCCONNECT FIBRE OPTIC FRONT PANEL PP9500 FLAT 1 SLOT 1U EMPTY BLACK	28	8 pcs / plastic box
PPA9511-6SM	YAPBP02676	DRAKA UCCONNECT FIBRE OPTIC FRONT PANEL PP9500 FLAT 1 SLOT 1U LOADED BLUE 6 PORT SC DUPLEX SM UPC	52	4 pcs / plastic box

UC Part Number	SAP1C	Description	Weight (g)	Packaging
PPA9511-6M2	TBC	DRAKA UCCONNECT FIBRE OPTIC FRONT PANEL PP9500 FLAT 1 SLOT 1U LOADED BEIGE 6 PORT SC DUPLEX OM1 & OM2 UPC	52	4 pcs / plastic box
PPA9511-6M3	YAPBP02678	DRAKA UCCONNECT FIBRE OPTIC FRONT PANEL PP9500 FLAT 1 SLOT 1U LOADED AQUA 6 PORT SC DUPLEX OM3 UPC	52	4 pcs / plastic box
PPA9511-6M4	YAPBP02677	DRAKA UCCONNECT FIBRE OPTIC FRONT PANEL PP9500 FLAT 1 SLOT 1U LOADED VIOLET 6 PORT SC DUPLEX OM4 UPC	52	4 pcs / plastic box
PPA9512-6	TBC	DRAKA UCCONNECT FIBRE OPTIC FRONT PANEL PP9500 FLAT 1 SLOT 1U ST EMPTY BLACK	32	8 pcs / plastic box
PPA9512-6SM	TBC	DRAKA UCCONNECT FIBRE OPTIC FRONT PANEL PP9500 FLAT 1 SLOT 1U LOADED BRONZE 6 PORT ST SIMPLEX SM UPC	77	4 pcs / plastic box
PPA9512-6MM	TBC	DRAKA UCCONNECT FIBRE OPTIC FRONT PANEL PP9500 FLAT 1 SLOT 1U LOADED BRONZE 6 PORT ST SIMPLEX MM UPC	77	4 pcs / plastic box
PPA9513-6	TBC	DRAKA UCCONNECT FIBRE OPTIC FRONT PANEL PP9500 FLAT 1 SLOT 1U EMPTY BLACK 6 PORT FC SIMPLEX	32	8 pcs / plastic box
PPA9513-6SM	TBC	DRAKA UCCONNECT FIBRE OPTIC FRONT PANEL PP9500 FLAT 1 SLOT 1U LOADED METALLIC 6 PORT SC SIMPLEX SM UPC	90	4 pcs / plastic box
PPA9513-6MM	TBC	DRAKA UCCONNECT FIBRE OPTIC FRONT PANEL PP9500 FLAT 1 SLOT 1U LOADED METALLIC 6 PORT FC SIMPLEX MM UPC	90	4 pcs / plastic box
PPA9513-12	TBC	DRAKA UCCONNECT FIBRE OPTIC FRONT PANEL PP9500 FLAT 1 SLOT 1U EMPTY BLACK 12 PORT FC SIMPLEX	20	8 pcs / plastic box
PPA9513-12SM	TBC	DRAKA UCCONNECT FIBRE OPTIC FRONT PANEL PP9500 FLAT 1 SLOT 1U LOADED METALLIC 12 PORT SC SIMPLEX SM UPC	142	4 pcs / plastic box
PPA9513-12SA	TBC	DRAKA UCCONNECT FIBRE OPTIC FRONT PANEL PP9500 FLAT 1 SLOT 1U LOADED METALLIC 12 PORT SC SIMPLEX SM APC	142	4 pcs / plastic box

UC Part Number	SAP1C	Description	Weight (g)	Packaging
PPA9513-12MM	TBC	DRAKA UCCONNECT FIBRE OPTIC FRONT PANEL PP9500 FLAT 1 SLOT 1U LOADED METALLIC 6 PORT FC SIMPLEX MM UPC	142	4 pcs / plastic box
PPST9521-C	YFTBP02647	DRAKA UCCONNECT FIBRE SPLICE TRAY COVER FOR PPST9521-24 BLACK	29	1 pcs / bag
PPST9521-24	YFTBP02646	DRAKA UCCONNECT FIBRE SPLICE TRAY 12-24 FIBRE FOR UC9500 SERIES BLACK	43	1 pcs / bag
PPA9515-1	YAPBP02680	DRAKA UCCONNECT FIBRE OPTIC FRONT PANEL PP9500 FLAT 1 SLOT 1U BLANK INSERT MPO TYPE	5	8 pcs / plastic box
PPMSPM19541D-P12	YMMBP02826	DRAKA UCCONNECT UC9500 SERIES 1xMPO/APC-12(M)-LC/UPC(D) MODULE SM G.657A2 TYPE P BLUE	126	1 pcs / box
PPMLPM19541D-P12	YMMBP03134	DRAKA UCCONNECT UC9500 SERIES LOW LOSS 1xMPO/APC-12(M)-LC/UPC(D) MODULE SM G.657A2 TYPE P BLUE	126	1 pcs / box
PPMSPM29542D-P24	YMMBP03342	DRAKA UCCONNECT UC9500 SERIES 2xMPO/APC-12(M)-LC/UPC(D) MODULE SM G.657A2 TYPE P BLUE	140	1 pcs / box
PPMLPM29542D-P24	YMMBP02829	DRAKA UCCONNECT UC9500 SERIES LOW LOSS 2xMPO/APC-12(M)-LC/UPC(D) MODULE SM G.657A2 TYPE P BLUE	140	1 pcs / box
PPMSPM29546D-P24	TBC	DRAKA UCCONNECT UC9500 SERIES 2xMPO/APC-12(M)-LC/UPC(D) MODULE SM G.657A2 KEY UP AND DOWN TYPE P BLUE	140	1 pcs / box
PPMLPM29546D-P24	TBC	DRAKA UCCONNECT UC9500 SERIES LOW LOSS 2xMPO/APC-12(M)-LC/UPC(D) MODULE SM G.657A2 KEY UP AND DOWN TYPE P BLUE	140	1 pcs / box
PPMSPM19551D-P12	TBC	DRAKA UCCONNECT UC9500 SERIES 1xMPO/UPC-12(M)-LC/UPC(D) MODULE MM OM4 TYPE P VIOLET	126	1 pcs / box
PPMLPM19551D-P12	TBC	DRAKA UCCONNECT UC9500 SERIES LOW LOSS 1xMPO/UPC-12(M)-LC/UPC(D) MODULE MM OM4 TYPE P VIOLET	126	1 pcs / box
PPMSPM29552D-P24	TBC	DRAKA UCCONNECT UC9500 SERIES 2xMPO/UPC-12(M)-LC/UPC(D) MODULE MM OM4 TYPE P VIOLET	140	1 pcs / box
PPMLPM29552D-P24	TBC	DRAKA UCCONNECT UC9500 SERIES LOW LOSS 2xMPO/UPC-12(M)-LC/UPC(D) MODULE MM OM4 TYPE P VIOLET	140	1 pcs / box

UC Part Number	SAP1C	Description	Weight (g)	Packaging
PPMSPM29556D-P24	TBC	DRAKA UCCONNECT UC9500 SERIES 2xMPO/UPC-12(M)-LC/UPC(D) MODULE MM OM4 KEY UP AND DOWN TYPE P VIOLET	140	1 pcs / box
PPMLPM29556D-P24	TBC	DRAKA UCCONNECT UC9500 SERIES LOW LOSS 2xMPO/UPC-12(M)-LC/UPC(D) MODULE MM OM4 KEY UP AND DOWN TYPE P VIOLET	140	1 pcs / box
PPMSPM19561D-P12	TBC	DRAKA UCCONNECT UC9500 SERIES 1xMPO/UPC-12(M)-LC/UPC(D) MODULE MM OM3 TYPE P AQUA	126	1 pcs / box
PPMLPM19561D-P12	TBC	DRAKA UCCONNECT UC9500 SERIES LOW LOSS 1xMPO/UPC-12(M)-LC/UPC(D) MODULE MM OM3 TYPE P AQUA	126	1 pcs / box
PPMSPM29562D-P24	TBC	DRAKA UCCONNECT UC9500 SERIES 2xMPO/UPC-12(M)-LC/UPC(D) MODULE MM OM3 TYPE P AQUA	140	1 pcs / box
PPMLPM29562D-P24	TBC	DRAKA UCCONNECT UC9500 SERIES LOW LOSS 2xMPO/UPC-12(M)-LC/UPC(D) MODULE MM OM3 TYPE P AQUA	140	1 pcs / box
PPMSPM29566D-P24	TBC	DRAKA UCCONNECT UC9500 SERIES 2xMPO/UPC-12(M)-LC/UPC(D) MODULE MM OM3 KEY UP AND DOWN TYPE P AQUA	140	1 pcs / box
PPMLPM29566D-P24	TBC	DRAKA UCCONNECT UC9500 SERIES LOW LOSS 2x MPO/UPC-12(M)-LC/UPC(D) MODULE MM OM3 KEY UP AND DOWN TYPE P AQUA	140	1 pcs / box

## Enquiries

---

Please contact our local sales office or email to: [mms.asia@prysmiangroup.com](mailto:mms.asia@prysmiangroup.com)

Multimedia Solutions is the data communication portfolio of Prysmian Group and comprises all the necessary portfolio of cable solutions for data communication.

Ask about UC CONNECT for a complete Structured Cabling Solutions with 25 Years System Warranty.

Visit [www.drakauc.com](http://www.drakauc.com) for more information.

---

© PRYSMIAN GROUP 2022, All Rights Reserved

All sizes and values without tolerances are reference values. Specifications are for product as supplied by Prysmian Group: a ny modification or alteration afterwards of product may give different result.

The information contained within this document must not be copied, reprinted or reproduced in any form, either wholly or in part, without the written consent of Prysmian Group. The information is believed to be correct at the time of issue. Prysmian Group reserves the right to amend this specification without prior notice. This specification is not contractually valid unless specifically authorised by Prysmian Group.