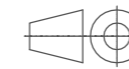
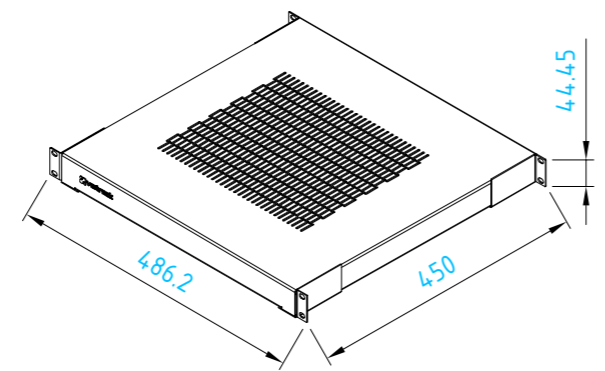


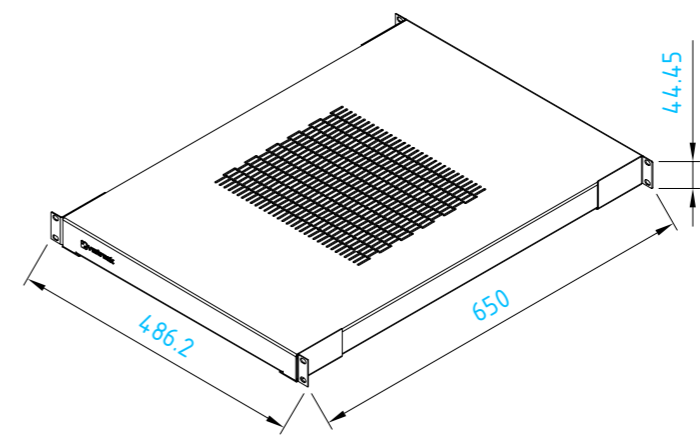
Note: All dimensions are in millimeter



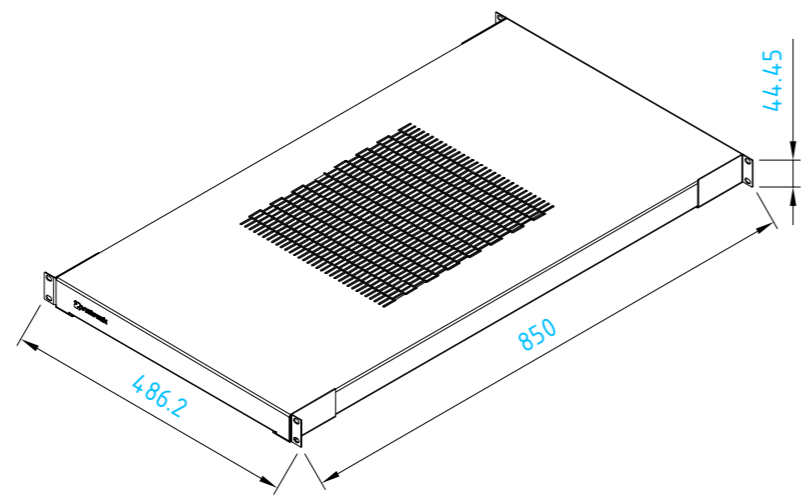
REV.	DESCRIPTIONS	DATE	APPROVED



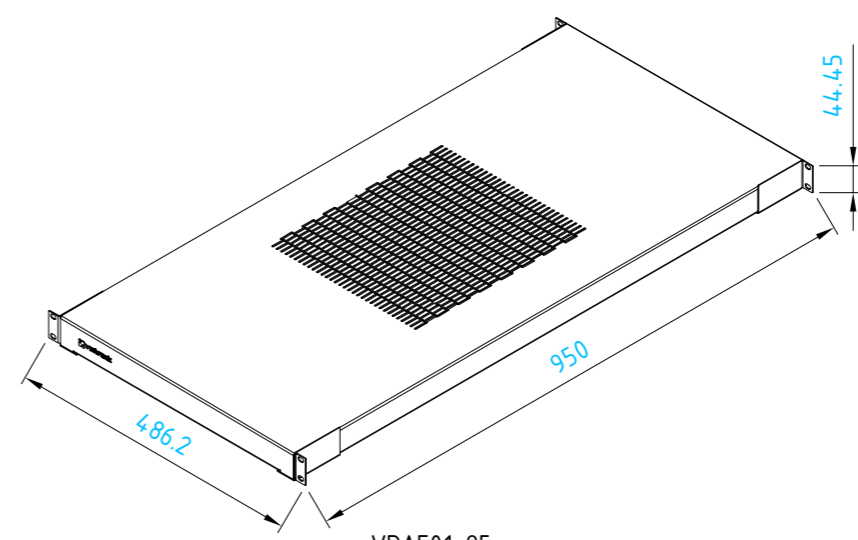
VRAF01-45



VRAF01-65



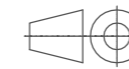
VRAF01-85



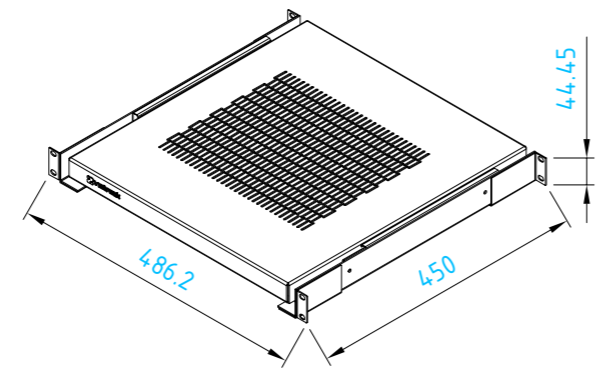
VRAF01-95

Lot EB6, Hiep Phuoc Industrial Park, Nha Be District, HCMC, Vietnam.		SHELVING SYSTEM FIX SHELF		Scale 1:10	ACCESSORIES	
<small>THIS DRAWING AND THE INFORMATION IT CONTAINS ARE THE SOLE PROPERTY OF NSP CO.,LTD. ANY REPRODUCTION IN PART OR AS A WHOLE WITHOUT THE WRITTEN PERMISSION IS PROHIBITED.</small>		WORKING DRAWING		Size A3	Rev. 00	Date of issue 30/06/2018
Created by	Checked by	Approved by	PICTORIAL DRAWING		Sheet 1/2	

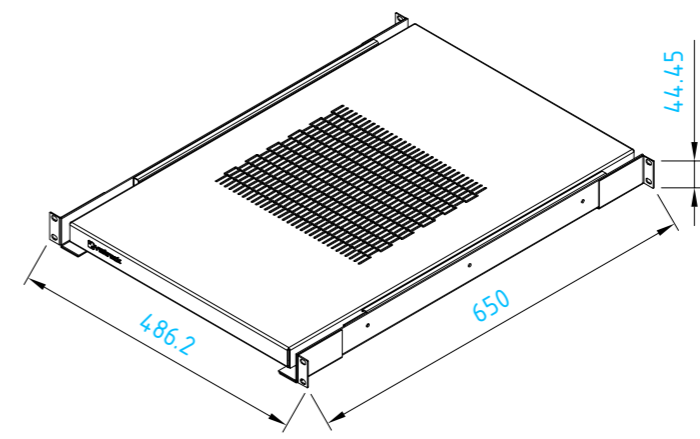
Note: All dimensions are in millimeter



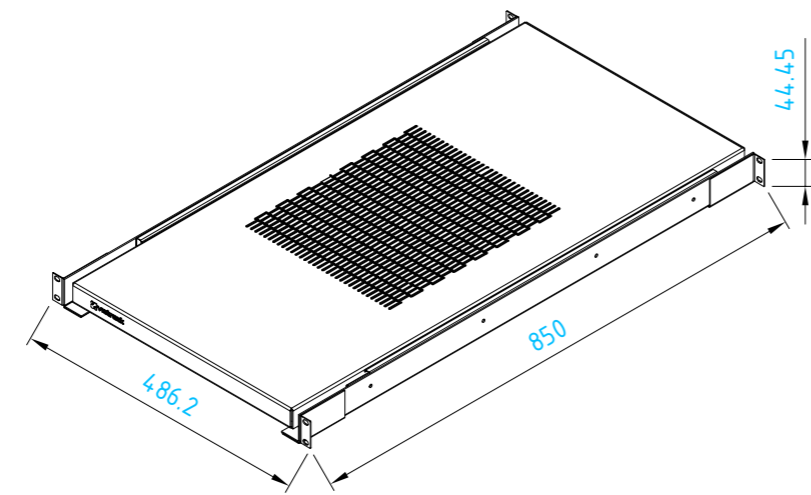
REV.	DESCRIPTIONS	DATE	APPROVED



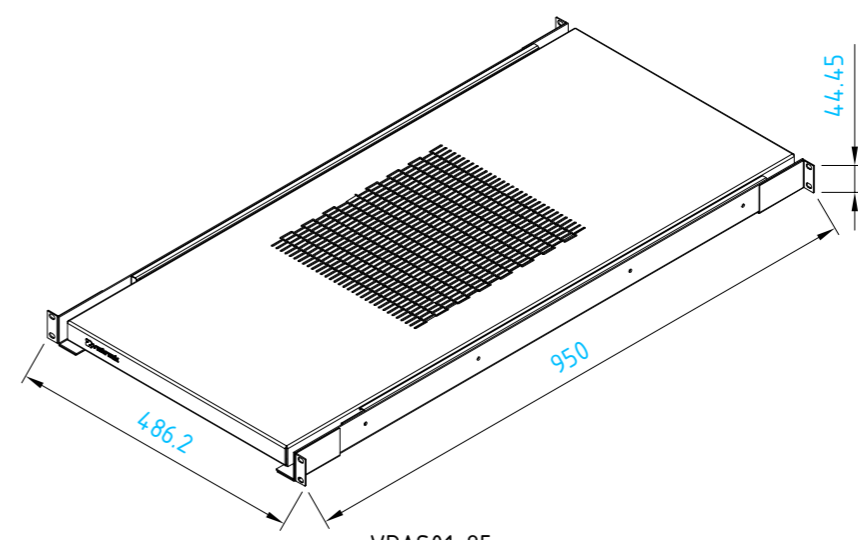
VRAS01-45



VRAS01-65



VRAS01-85



VRAS01-95

Lot EB6, Hiep Phuoc Industrial Park, Nha Be District, HCMC, Vietnam. <small>THIS DRAWING AND THE INFORMATION IT CONTAINS ARE THE SOLE PROPERTY OF NSP CO.,LTD. ANY REPRODUCTION IN PART OR AS A WHOLE WITHOUT THE WRITTEN PERMISSION IS PROHIBITED.</small>	SHELVING SYSTEM SLIDE SHELF		Scale 1:10	ACCESSORIES	
			Size A3	Rev. 00	Date of issue 30/06/2018
Created by	Checked by	Approved by	WORKING DRAWING		PICTORIAL DRAWING