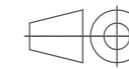
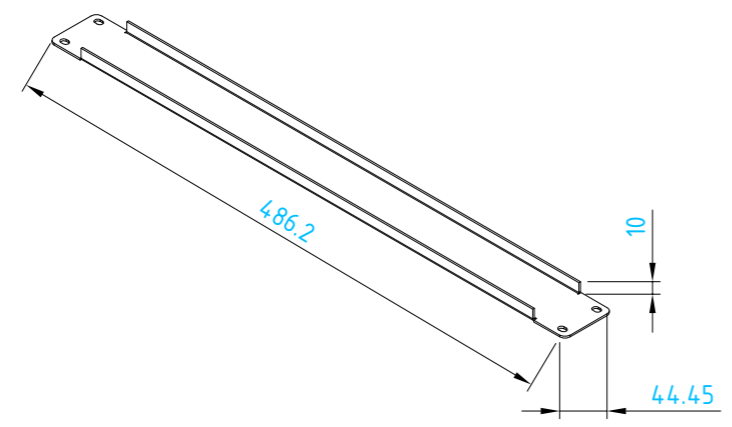
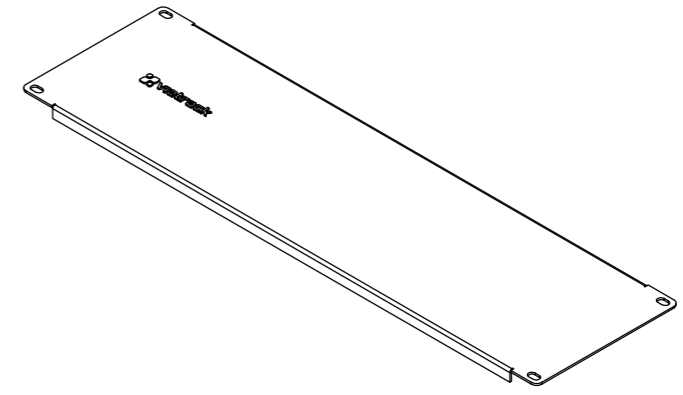
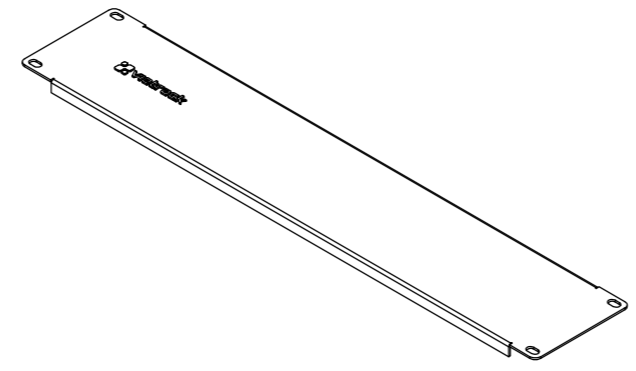
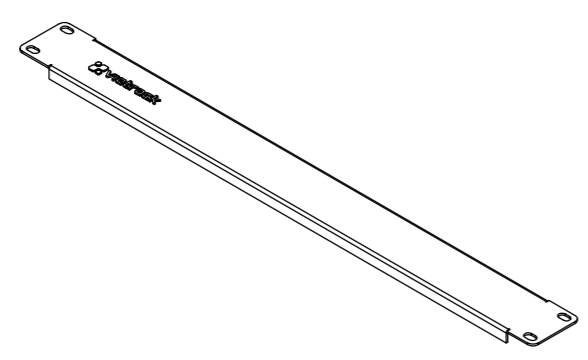


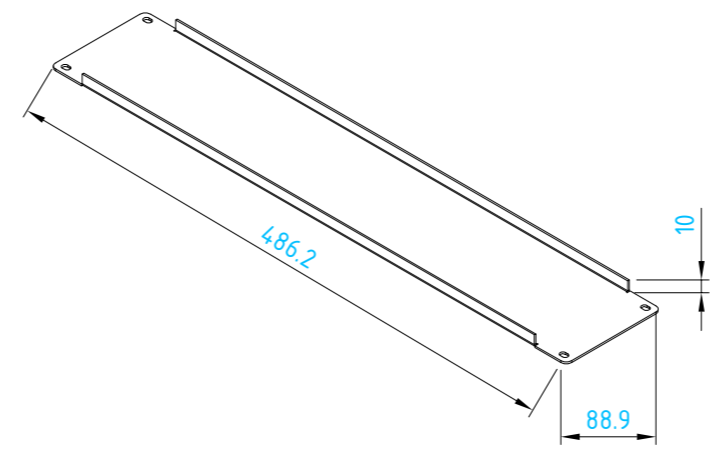
Note: All dimensions are in millimeter



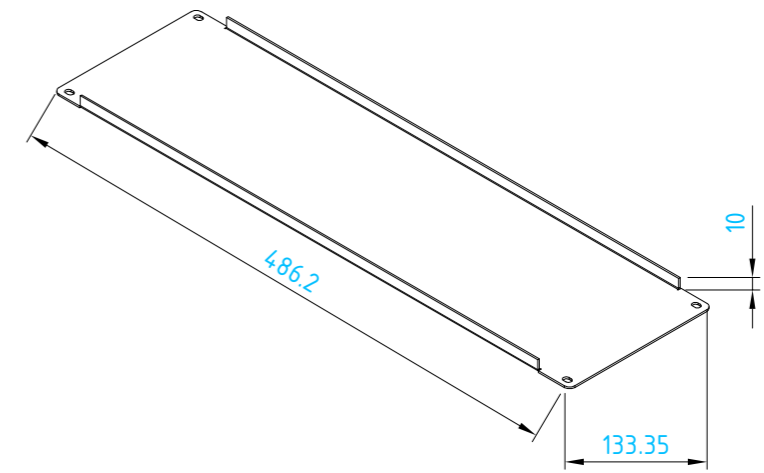
REV.	DESCRIPTIONS	DATE	APPROVED



VRMH01-B



VRMH02-B



VRMH03-B

Lot EB6, Hiep Phuoc Industrial Park, Nha Be District, HCMC, Vietnam. <small>THIS DRAWING AND THE INFORMATION IT CONTAINS ARE THE SOLE PROPERTY OF NSP CO.,LTD. ANY REPRODUCTION IN PART OR AS A WHOLE WITHOUT THE WRITTEN PERMISSION IS PROHIBITED.</small>	BLANKING PANEL		Scale 1:5	ACCESSORIES	
	WORKING DRAWING		Size A3	Rev. 00	Date of issue 30/06/2018
Created by	Checked by	Approved by	PICTORIAL DRAWING		