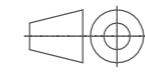
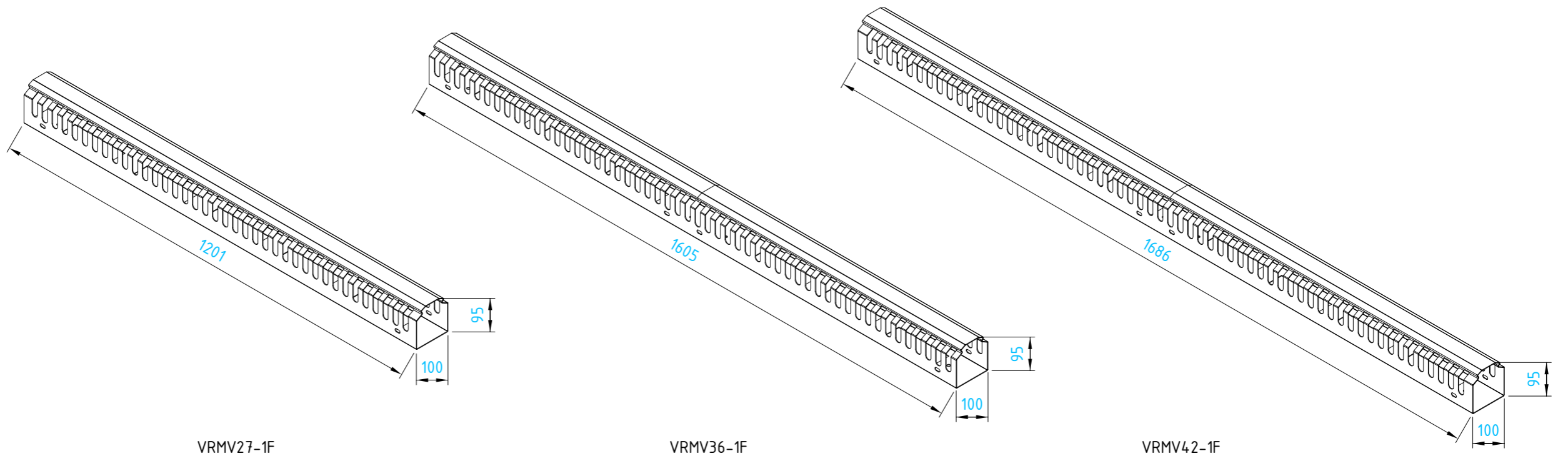


Note: All dimensions are in millimeter



REV.	DESCRIPTIONS	DATE	APPROVED



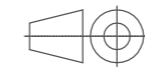
VRMV27-1F

VRMV36-1F

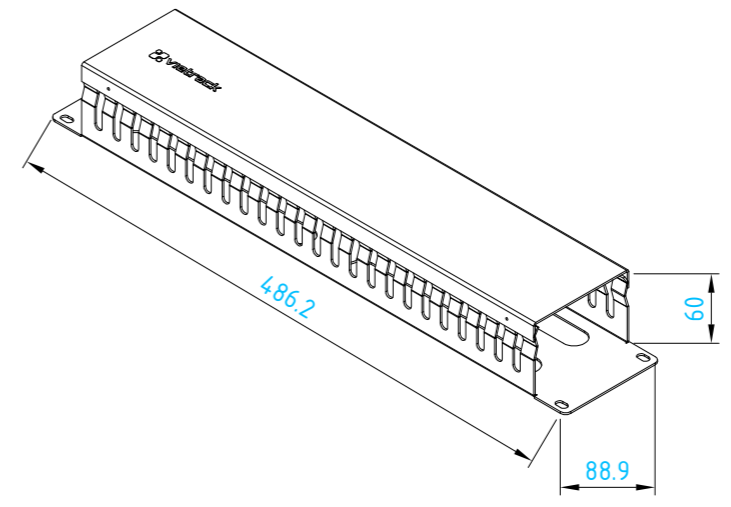
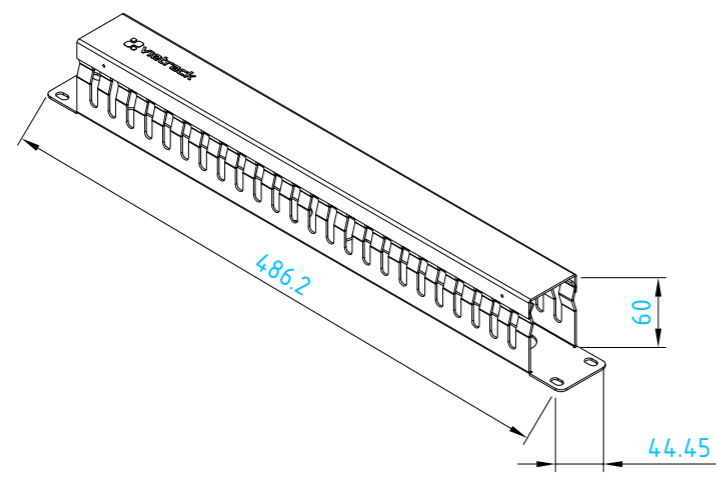
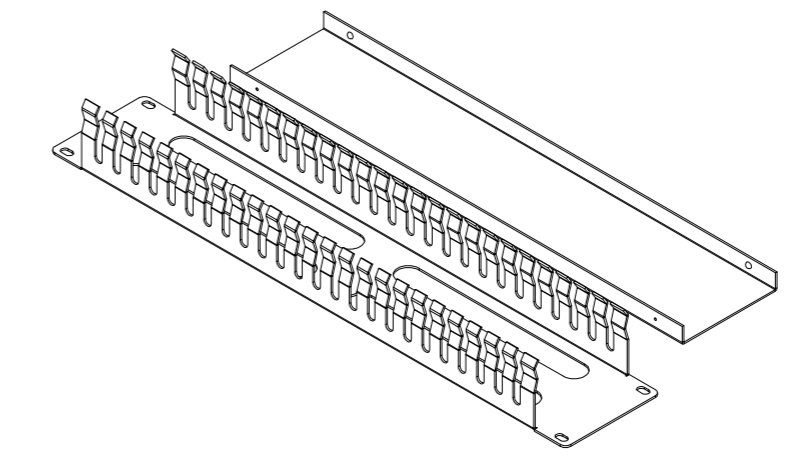
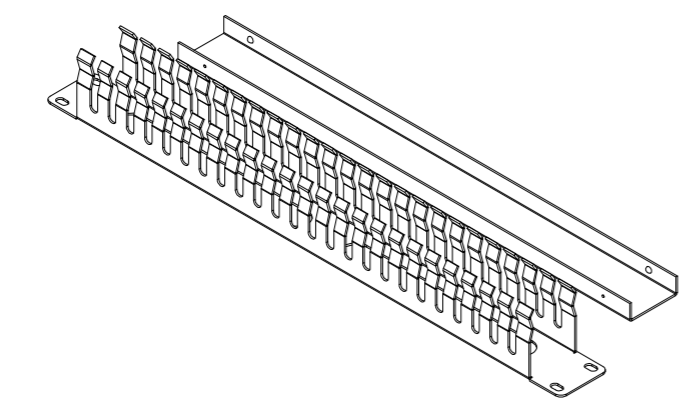
VRMV42-1F

Lot EB6, Hiep Phuoc Industrial Park, Nha Be District, HCMC, Vietnam. <small>THIS DRAWING AND THE INFORMATION IT CONTAINS ARE THE SOLE PROPERTY OF NSP CO.,LTD. ANY REPRODUCTION IN PART OR AS A WHOLE WITHOUT THE WRITTEN PERMISSION IS PROHIBITED.</small>	CABLE MANAGEMENT VERT.CABLE MANAGEMENT		Scale 1:10	ACCESSORIES		
	Created by	Checked by	Approved by	Size A3	Rev. 00	Date of issue 30/06/2018
WORKING DRAWING				PICTORIAL DRAWING		

Note: All dimensions are in millimeter



REV.	DESCRIPTIONS	DATE	APPROVED



VRMH01-1F

VRMH02-1F

Lot EB6, Hiep Phuoc Industrial Park, Nha Be District, HCMC, Vietnam. <small>THIS DRAWING AND THE INFORMATION IT CONTAINS ARE THE SOLE PROPERTY OF NSP CO.,LTD. ANY REPRODUCTION IN PART OR AS A WHOLE WITHOUT THE WRITTEN PERMISSION IS PROHIBITED.</small>	CABLE MANAGEMENT HORIZ.CABLE MANAGEMENT		Scale 1:5	ACCESSORIES		
	Created by	Checked by	Approved by	Size A3	Rev. 00	Date of issue 30/06/2018
WORKING DRAWING				PICTORIAL DRAWING		