



Pro Gen4 Bullet Camera

Exceptional Vision Powered by Illustra Pro AI



Robust Smart Mount

Unique smart arm design reduces time and costs when running cables to cameras



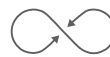
Easy Installation

Quick in-camera configuration through app or HDMI with focus assistant



Double-Sensitive Imagers

All-new imagers improve image quality in ultralow light environments



Full Peripherals

EIS, two sets of alarms, as well as audio to satisfy types of projects



Superior Zoom

Crystal-clear zoom optics with adaptive Ex-IR illumination and Illustra AI capture details at long distances



Powerful Edge AI

Industry's most feature-rich Video AI suite and smart applications made 24/7 surveillance operations

Specifications

Camera	2MP		4MP (5MP)		8MP	
Image sensor	Sony 1/2.8" progressive scan ultra-lowlight CMOS sensor				Sony 1/1.8" progressive scan ultra-lowlight CMOS sensor	
Lens – Standard lens	Motorized 2.7-13.5 mm, F1.4-2.8, P iris FOV (H): 103.8° ~ 33.8° FOV (V): 55° ~ 19°		Motorized 2.7-13.5 mm, F1.4-2.8, P iris FOV (H): 101° ~ 31.8° FOV (V): 54° ~ 18°		Motorized 4K optics, 3.6-11 mm, F1.5-2.8, P iris FOV (H): 102° ~ 47.8° FOV (V): 57.8° ~ 27.8°	
– Telephoto lens	Motorized 10x, 4.7-47 mm, F1.4-2.8, P iris FOV (H): 65° ~ 7° FOV (V): 39° ~ 4°		Motorized 13-55 mm, F1.5-2.8, P iris FOV (H): 21.8° ~ 5.6° FOV (V): 16.2° ~ 4.3°		Motorized 4K optics, 13-55 mm, F1.5-F2.8, P iris FOV (H): 34.2° ~ 8.3° FOV (V): 20° ~ 5.6°	
Focus assistant	Physical AF button on camera, remote one-push AF					
Day and night	True D/N by mechanically removable IR-cut filter, thresholds adjustable					
Minimum illumination	Standard	Telephoto	Standard	Telephoto	Standard	Telephoto
– Color	0.04 lux	0.02 lux	0.11 lux	0.09 lux	0.2 lux	0.15 lux
– B/W	0.01 lux	0.01 lux	0.03 lux	0.03 lux	0.05 lux	0.05 lux
– IR on	0 lux	0 lux	0 lux	0 lux	0 lux	0 lux
Shutter speed	1/32,000 sec ~ 1/4 sec					
IR illumination (IR models only)	850 nm IR, power-efficient and durable Adaptive IR Smart IR Effective up to PoE 50 m (164 ft), PoE+ 70 m (230 ft)					
Video						
Video compression	H.264 HP/MP, H.265 HP, Motion JPEG					
Resolution and frame rate	Up to 1920x1080 (16:9) at 60/50 fps		Up to 5MP 2560x1920 (4:3) or 4MP 2560x1440 (16:9) at 30/25 fps, 1080p up to 60/50 fps		Up to 3840x2160 (16:9) at 30/25 fps, 1080p up to 60/50 fps	
Video streaming	IntelliZip smart compression in H.264 and H.265 Quad streaming CBR/VBR/CVBR configurable bitrate control Higher compression ROI					
Wide dynamic range	True WDR 120dB technologies Smart WDR, TWDR 2x, TWDR 3x Smart Defog					
Smart image processing	AI Auto exposure: Object, person, face Smart auto exposure profiles: Gaming, LPR, various others					
Image settings	Configurable color contour, auto exposure, AE compensation, auto white balance, auto gain control, auto electronic shutter, flickerless, image orientation, text overlay Digital noise reduction 2D/3D Privacy mask Corridor mode					
Image stabilization	Electronic image stabilization (EIS)					
Video output	1x Micro HDMI for outdoor preview or indoor PVM where waterproofing is addressed via optional HDMI Cable IA-HDM-OD-P4D					
Audio						
Audio compression	G.711 μ -law					
Audio streaming	Bi-directional, full duplex					
Audio input/output	1x Line-in, 1x line-out, terminal block					

Analytics

AI Object classifications	Classes	Person	Person
		Vehicle	Bicycle, bus, car, motorbike, train, truck
		Retail	Cart
		Suspicious objects	Backpack, handbag, suitcase
	Sub-classes	Person clothing colors (upper, lower), vehicle colors	
Rules	Object detected, abandoned/removed objects, direction, linger, dwell, enter, exit, crowd, queue, perimeter, tripwire		
AI Sound Analytics	Loud Abnormal sound, Glass break, Fire/Smoke Alarm, Low pitch abnormal sound, Scream		
AI Face detection	Yes		
AI Privacy mask	Person, Face		
AI Business Intelligence	Person counting		
AI Tamper detection	White out, black out, scene change		
AI Blur detection	Yes		
AI Metadata	Yes		
AI Smart search	AI Person Re-ID (via VideoEdge v6.1.1 or after)		
Video motion detection	Yes		

Network

Ethernet	IEEE 802.3, 10/100 Base-T, 1x RJ45, auto sensing		
Cyber security	ISASecure ISA/IEC 62443-4-1 certified secure development Secure boot Signed and encrypted firmware		
Network security	Multi-level password protections, brute force delay protection, IP address filtering, HTTPS encryption, IEEE 802.1x (PEAP, EAP-TLS, EAPoL), digest authentication, HTTPS over TLS, WS-Security, certificate management, enhanced security (one-click security hardening, user access log, validate complex credentials, disabling unused protocols)		
Supported protocols	TCP/IP, IPv4, IPv6, TCP, UDP, HTTP, FTP, DHCP, WS-Discovery, DNS, DDNS, RTP, RTCP, RTSP, TLS, Unicast, Multicast, NTP, ICMP, IGMP, SMTP, WS-Security, IEEE 802.1x, PEAP, EAP-TLS, EAPoL, SSH, HTTPS, SOAP, WS-Addressing, CIFS, UPNP, LLDP, QoS, SIP		
Network management	SNMP v2c/v3		
Simultaneous users	10		

System Integrations

Alarm	2x Line-in, 2x relay line-out (30V, 1A), terminal block		
Application program interface	ONVIF Profile S, Profile G, Profile M, Profile T, test tool 22.12 or later conformant Illustra iAPI via Connected Partner program		
Event triggers	Video analytics, alarm input, network loss, temperature		
Event handling	Record to SD, snapshot, SMTP email out, FTP upload, CIFS, alarm output, playback audio clip, SIP call		

Peripherals

Wireless configuration	1x Micro USB for use with Tyco Tools app via optional USB Wi-Fi Dongle IA-KIT-WD-UUA		
Onboard storage	1x microSDXC slot, Class 10 or higher, up to 2TB capacity, card not incl 1~10 sec pre/post-event buffering Encrypted storage and streaming TrickleStor offline recording and backfilling via VideoEdge and ExacqVision NVR		

Mechanical

Casing	Die casting aluminum body and bracket Polycarbonate front window and sunshield		
Mounting	Smart mounting bracket Versatile mounting options available, see Optional Accessories		
Vandal resistance	IK10 impact-resistant rated		
Weathering resistance	IP67/66 rated, NEMA 250 Type 4X certified		
Color	RAL 9003 signal white		
Reset buttons	1x Reboot, 1x factory reset		
Dimensions (WxL)	Standard lens: Ø79.9 x 205 mm (Ø3.2 x 8.1 in) Telephoto lens 2MP: Ø79.9 x 217 mm (Ø3.2 x 8.5 in) Telephoto lens 4/8MP: Ø79.9 x 235.5 mm (Ø3.2 x 9.3 in)		
Weight	Standard lens: Net 1.2 kg (2.7 lbs), gross 3.2 kg (7.1 lbs) Telephoto lens 2MP: Net 1.3 kg (2.9 lbs), gross 3.3 kg (7.3 lbs) Telephoto lens 4/8MP: Net 1.4 kg (3.1 lbs), gross 3.3 kg (7.3 lbs)		

Electrical

Power source	Standard lens: PoE IEEE 802.3af Type 1 Class 4, PoE+ IEEE 802.3at Type 2 Class 4 Telephoto lens: PoE IEEE 802.3af, PoE+ IEEE 802.3at Type 2 Class 4 24 VAC, 1.27A (non-IR model 0.95A), terminal block
Power consumption (max)	IR models: PoE 12.95 W, PoE+ 18.72 W, 24 VAC 21 W Non-IR models: PoE/PoE+ 9.55 W, 24 VAC 16 W
Dual power redundancy	Supported

Environmental

Operating conditions	-50 °C ~ 60 °C (-58 °F ~ 140 °F) Maximum temperature (intermittence): 65 °C (165 °F) Up to 0 ~ 95% RH non-condensing
Cold start temperature	-40 °C (-40 °F)
Storage conditions	-40 °C ~ 65 °C (-40 °F ~ 165 °F) Up to 0 ~ 95% RH non-condensing

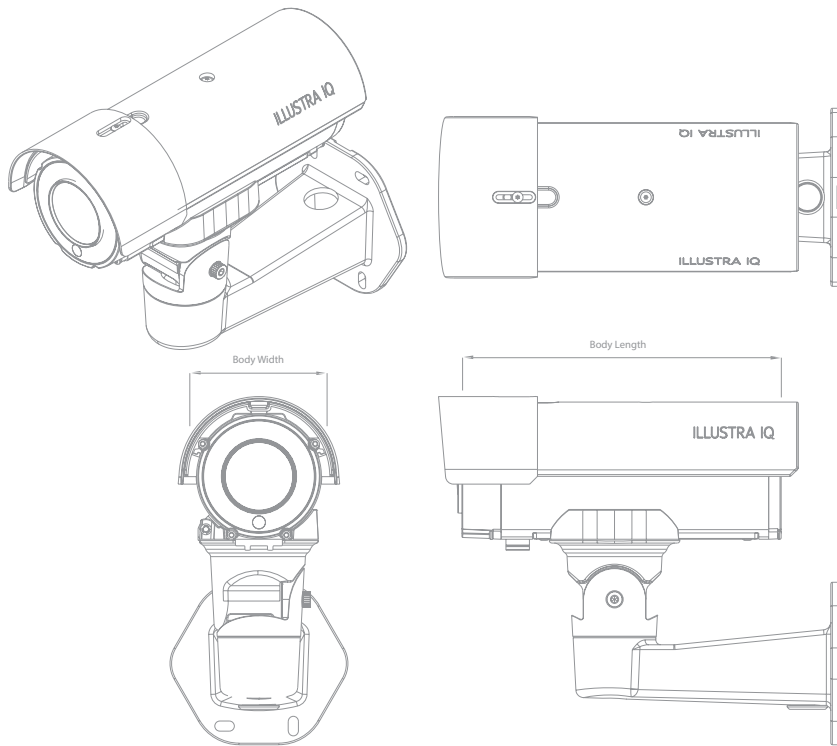
Regulatory

EMC	BS/EN 55032 Class A, IEC/BS/EN 61000-3-2, BS/EN 61000-3-3, BS/EN 50130-4, IEC/EN 61000-4-2/3/4/5/6/8/11, FCC Part 15 Subpart B Class A, ICES-003/NMB-003 Class A, RCM AS/NZS CISPR 32 Class A, IEC/BS/EN 61000-6-4, BS/EN 50121-1, BS/EN 50121-4
Safety	IEC/UL/CB 62368-1, CAN/CSA-C22.2 No. 62368-1 IEC/UL/CB 60950-1, CAN/CSA-C22.2 No. 60950-1, IS 13252 (Part 1)
Environment	NEMA 250 Type 4X, IEC/EN 62262 (IK10), IEC/EN 60529 (IP67/66) RoHS, WEEE, REACH

General

Web browser support	Edge, Firefox, Safari, Chrome
Device configuration	ONVIF, Web browser, Illustra Connect (Windows), Tyco Tools (iOS, Android)
Language	Arabic, Chinese (Simplified), Chinese (Traditional), Czech, Danish, English (default), French, German, Hungarian, Italian, Japanese, Korean, Netherlands, Polish, Portuguese, Russian, Spanish, Swedish, Turkish
NDAA compliant	Yes
TAA compliant	Yes
Warranty	5 years

Dimensions



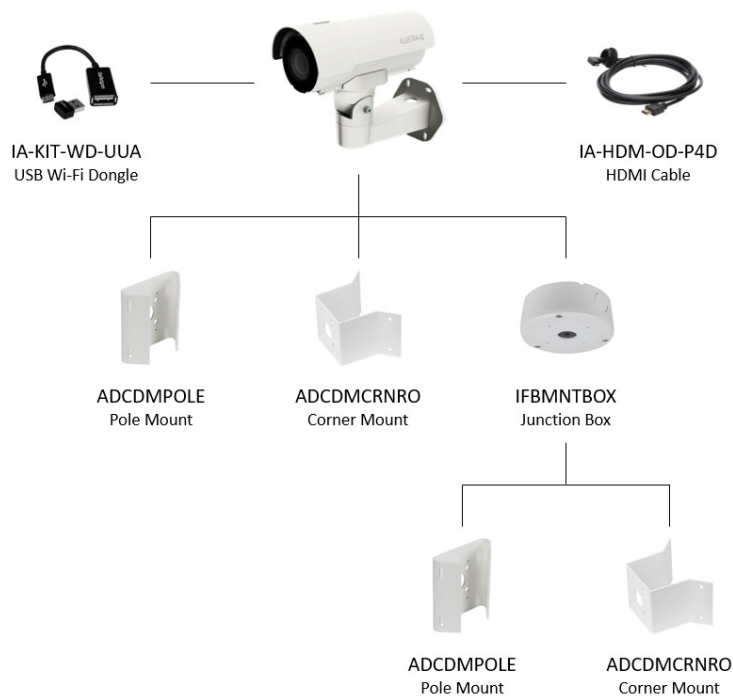
Model	Bullet Main Body (WxL)
Standard lens	Ø79.9 x 205 mm (Ø3.2 x 8.1 in)
Telephoto lens 2MP	Ø79.9 x 217 mm (Ø3.2 x 8.5 in)
Telephoto lens 4/8MP	Ø79.9 x 235.5 mm (Ø3.2 x 9.3 in)

Ordering Information

Part Number	Description
IPS02-B12-OIA4	Illustra Pro Gen4 2MP Std Bullet, 2.7-13.5mm, TDN, w/IR, Indoor/Outdoor
IPS04-B12-OIA4	Illustra Pro Gen4 4MP (5MP) Std Bullet, 2.7-13.5mm, TDN, w/IR, Indoor/Outdoor
IPS04-B12-OTA4	Illustra Pro Gen4 4MP (5MP) Std Bullet, 2.7-13.5mm, TDN, w/o IR, Indoor/Outdoor
IPS08-B13-OIA4	Illustra Pro Gen4 8MP Std Bullet, 3.6-11mm, TDN, w/IR, Indoor/Outdoor
IPS02-B15-OIA4	Illustra Pro Gen4 2MP Tele Bullet, 4.7-47mm, TDN, w/IR, Indoor/Outdoor
IPS04-B16-OIA4	Illustra Pro Gen4 4MP (5MP) Tele Bullet, 13-55mm, TDN, w/IR, Indoor/Outdoor
IPS08-B16-OIA4	Illustra Pro Gen4 8MP Tele Bullet, 13-55mm, TDN, w/IR, Indoor/Outdoor

Optional Accessories

Part Number	Description
ADCDMPOLE	Pole Mount
ADCDMCRNRO	Corner Mount; 131.5 x 192.5 mm (5.2 x 7.6 in)
IFBMNTBOX	Junction Box; Ø147 x 60 mm (Ø6 x 2.5 in)
IA-KIT-WD-UUA	USB Wi-Fi Dongle
IA-HDM-OD-P4D	HDMI Cable; 3 m (9.8 ft)



IL1444-DS-202409-R01-HS-EN