

UC CONNECT®

HD CATEGORY 6_A KEYSTONE JACK 180 TOOL-LESS



GENERAL SPECIFICATIONS

Interface, Front	: RJ45
Interface, Rear	: IDC Insulation Displacement Contact
Cable Type	: Unshielded/Shielded Cable
Panel Cutout	: 14.38X16.02 mm
Termination Tool	: Toolless, Not required Termination tool
Color	: Shielded - Metallic, Unshielded - Back, White, Blue, Yellow, Red, Other by request.

APPLICATIONS

Support Application	IEEE 802.11x IEEE 802.3 10/100Base-TX 1000 BASE T (Gigabit Ethernet) 1000 BASE TX (Gigabit Ethernet) IEEE 802.3an 10G BASE-T (10 Gigabit Ethernet) 10G BASE-T (TSB-155) 4/16 Token Ring ATM 155/622Mbps ATM 1.2Gbps ISDN ANSI-EIA / TIA-854 ANSI-EIA / TIA-862 Broadcast Analog and Digital Video PoE IEEE 802.3af & IEEE802.3at PoE IEEE 802.3bt type 3 & type 4 Building Automation Systems
---------------------	---

STANDARD COMPLIANT

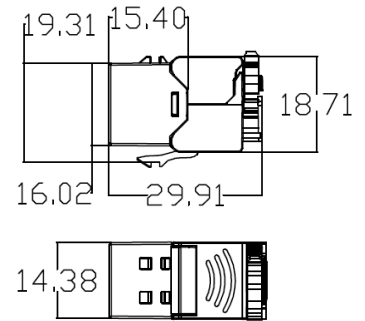
TIA/EIA 568-C.2 | TIA/EIA 568.2-D | CATEGORY 6_A | TIA 942B
 ISO/IEC 11801: 2017 CLASS E_A | EN50173-1
 RoHS Compliant | REACH Compliant | Lead-Free
 IEC 60603-7 | IEC 60512 | FCC Part 68 SUBPART F

MATERIAL PROPERTIES

Modular Jack Housing	: Shielded, Zinc Alloy Electroplating 360° Shielded. Unshielded, Fire Proof Polycarbonate
Housing Flame Rating	: UL 94 V-0
Termination Blocks	: Fire Proof Polycarbonate, UL 94 V-0
Pin Contact	: Phosphor Bronze, 50µ Inch Gold Plating
PCB	: Fire Proof Polycarbonate, UL 94 V-0
IDC Terminal Contact	: Phosphor Bronze Tinned Plating
Smart Clip Lock	: Fire Proof Polycarbonate, UL 94 V-0

MECHANICAL PROPERTIES

Dimension (WXDXH)	: 14.38X29.91X19.31 mm
Conductor Type	: Solid Stranded
Conductor Gauge	: Solid 22–24 AWG
Conductor Gauge	: Stranded 22-26 AWG
IDC Termination	: 110 Insulation Displacement Contact (IDC), KRONE
IDC Durability	: 250 times re-termination
Plug Insertion Life	: 750 Mating Cycle
Plug Retention Force	: 79 N
Wiring	: T568A T568B
Cable OD	: 5.0 – 8.5mm
Smart Clip Lock	: Integrated Smart Clip Lock, Re-Usable, Adjustable Cable Diameter



TRANSMISSION PERFORMANCE

Performance Characteristics (exceed TIA/EIA 568-D.2 Category 6_A and ISO/IEC 11801 Class E_A requirements)

Frq	Insertion Loss (dB)		NEXT (dB)		PSNEXT (dB)		FEXT (dB)		PSFEXT (dB)		Return Loss (dB)		PSANEXT (dB)		PSAFEXT (dB)		TCL (dB)		TCTL (dB)	
	Max	Typical	Min	Typical	Min	Typical	Min	Typical	Min	Typical	Min	Typical	Min	Typical	Min	Typical	Min	Typical	Min	Typical
1.00	0.10	0.06	75.00	86.00	75.00	84.50	75.00	81.70	75.00	78.70	30.00	42.00	67.00	84.50	67.00	75.90	40.00	57.30	40.00	57.30
4.00	0.10	0.06	75.00	79.40	75.00	78.00	71.10	79.50	68.06	76.20	30.00	41.60	67.00	78.00	67.00	75.00	40.00	45.90	40.00	56.10
8.00	0.10	0.07	75.00	78.20	71.94	74.80	65.00	75.00	62.04	70.80	30.00	39.00	67.00	74.80	67.00	74.60	40.00	44.80	40.00	45.90
10.00	0.10	0.07	74.00	76.00	70.00	73.00	63.10	64.40	60.10	61.40	30.00	38.40	67.00	68.50	67.00	74.00	40.00	43.90	40.00	44.80
16.00	0.10	0.08	69.90	72.00	65.92	68.00	59.00	63.90	56.02	60.90	30.00	38.00	67.00	72.80	67.00	73.80	40.00	43.00	40.00	43.90
20.00	0.10	0.08	68.00	71.00	63.98	64.40	57.10	63.20	54.08	60.20	30.00	37.10	67.00	72.20	67.00	73.20	40.00	42.50	40.00	43.00
25.00	0.10	0.08	66.00	69.00	62.04	63.00	55.10	57.90	52.14	54.90	30.00	36.00	67.00	70.00	67.00	71.00	40.00	41.00	40.00	42.50
31.25	0.11	0.09	64.10	66.00	60.10	61.50	53.20	53.40	50.20	50.40	30.00	35.00	67.00	68.60	67.00	69.60	38.10	39.60	38.10	41.00
62.50	0.16	0.13	58.10	60.00	54.08	56.00	47.20	47.80	44.18	44.80	30.00	35.20	67.00	68.10	67.00	69.10	32.10	35.00	32.10	32.40
100.00	0.20	0.17	54.00	59.00	50.00	50.20	43.10	45.00	40.10	43.00	28.00	34.00	67.00	67.30	67.00	68.30	28.00	32.00	28.00	30.00
200.00	0.28	0.19	48.00	55.00	43.98	44.50	37.10	38.80	34.08	35.80	22.00	29.00	64.50	66.00	61.00	67.00	22.00	28.50	22.00	26.00
250.00	0.32	0.25	46.00	48.00	42.04	43.50	35.10	35.80	32.14	32.80	20.00	24.60	62.50	63.00	59.00	60.30	20.00	24.00	20.00	20.80
300.00	0.35	0.30	42.90	45.00	38.87	39.00	33.60	34.90	30.56	31.20	18.50	20.00	61.00	62.80	57.50	59.00	18.50	21.00	18.50	20.00
400.00	0.40	0.37	37.90	38.20	33.87	35.20	31.10	32.50	28.06	29.60	16.00	19.10	58.50	61.50	55.00	58.70	16.00	18.60	16.00	19.50
500.00	0.45	0.40	34.00	36.20	30.00	33.00	29.10	30.20	26.12	27.80	14.00	18.20	56.50	59.00	53.00	56.10	14.00	16.00	14.00	16.40

ELECTRICAL SPECIFICATIONS

Insulation Resistance	: 500MΩ @500VDC
Contact Resistance	: 20mΩ
DC Resistance Unbalance	: 200mΩ
Dielectric Withstanding voltage	: 1000VDC, Contact to Contact, RMS, 1min
Dielectric Withstanding voltage	: 1000VDC, Contact to Housing
Current Rating	: 1.5A
Voltage Proof (IEC 60512-4-1)	: 1,500Vac

ENVIRONMENTAL PROPERTIES

Flammability Rating : UL 94 V-0
 Operating Temperature : -10 °C to +60 °C
 Storage Temperature : -40 °C to +70 °C
 Relative Humidity : Up to 95%, non-condensing

ORDERING INFORMATION

Part Number	Description	Weight	Packaging Unit
YMJBPO2764	Draka UCONNECT HD CAT6 _A UTP Keystone Jack 180° Tool-Less, Black	6g	24 per box
YMJBPO2765	Draka UCONNECT HD CAT6 _A UTP Keystone Jack 180° Tool-Less, White	6g	24 per box
YMJBPO2766	Draka UCONNECT HD CAT6 _A UTP Keystone Jack 180° Tool-Less, Blue	6g	24 per box
YMJBPO2767	Draka UCONNECT HD CAT6 _A UTP Keystone Jack 180° Tool-Less, Yellow	6g	24 per box
YMJBPO2768	Draka UCONNECT HD CAT6 _A UTP Keystone Jack 180° Tool-Less, Red	6g	24 per box
YMJBPO2769	Draka UCONNECT HD CAT6 _A STP Keystone Jack 180° Tool-Less, Metallic	14g	24 per box

ENQUIRIES

Please contact our local sales office or mms.asia@prysmiangroup.com

Draka Multimedia Solutions is the data communication portfolio of Prysmian Group and comprises all the necessary portfolio of cable solutions for data communication.

Ask about UC DATA, UC CONNECT for a complete Structure Cabling Solutions with 25 Years System Warranty. Visit www.DrakaUC.com for more information.

© PRYSMIAN GROUP 2019, All Rights Reserved

All sizes and values without tolerances are reference values. Specifications are for product as supplied by Prysmian Group: any modification or alteration afterwards of product may give different result.

The information contained within this document must not be copied, reprinted or reproduced in any form, either wholly or in part, without the written consent of Prysmian Group. The information is believed to be correct at the time of issue. Prysmian Group reserves the right to amend this specification without prior notice. This specification is not contractually valid unless specifically authorised by Prysmian Group.