

UCCONNECT®

RJ45 Plug and Boot Cat6 UTP Unshielded



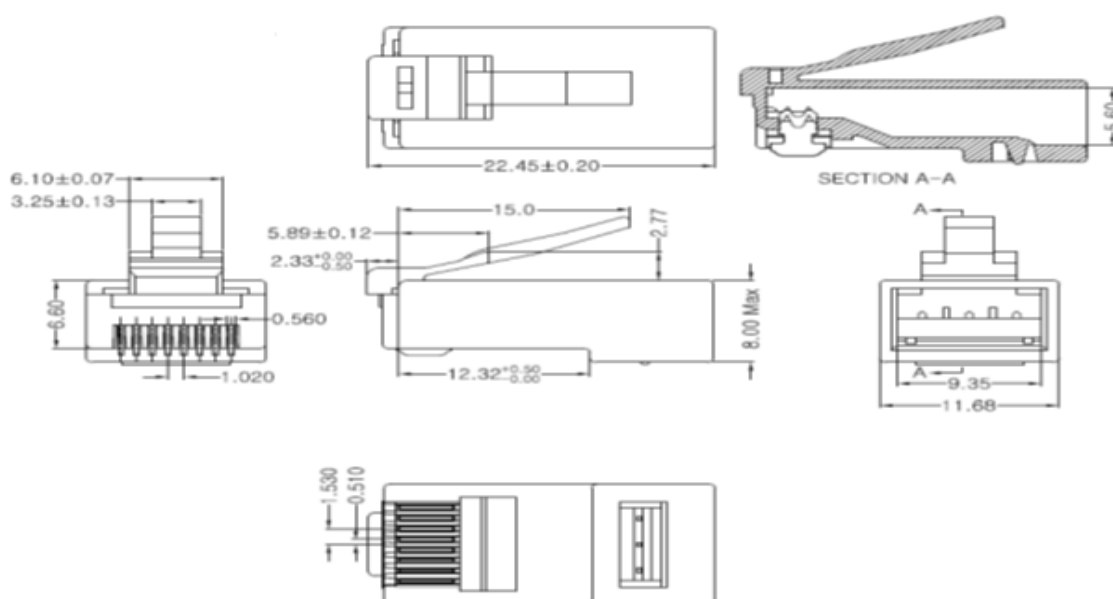
RJ45 Plug and Boot compatible with UCCONNECT® system

- 3-Prong design suitable for solid conductor 23-24AWG
- Gold plating excellent for good conductivity and oxidation resistance
- Dual Boot design to maximize protection for bend-related strain

Specification

Plug housing material	CLEAR Polycarbonate UL 94V-2
Contact type	3-Prong for solid conductor 23-24AWG
Gold plating	50μ (≥1.27 μm)
Contact material	Phosphor Bronze
Dual Boot material/colour	BLUE Polyvinyl Chloride + WHITE Polycarbonate

Dimension



UCCONNECT®

RJ45 Plug and Boot Cat6 UTP Unshielded

Ordering Information

SAP1C	UC P/N	Material Description	Item per pack
YTPBP02699	RJ45PU6	Cat6 Unshielded RJ45 Field-Crimp Plug Plastic Clear	50pcs

Enquiries

Please contact our local sales office or mms.asia@prysmiangroup.com

Multimedia Solutions is the data communication portfolio of Prysmian Group and comprises all the necessary portfolio of cable solutions for data communication.

Ask about UC CONNECT for a complete Structure Cabling Solutions with 25 Years System Warranty.

Visit www.DrakaUC.com for more information.

© PRYSMIAN GROUP 2017, All Rights Reserved

All sizes and values without tolerances are reference values. Specifications are for product as supplied by Prysmian Group: any modification or alteration afterwards of product may give different result.

The information contained within this document must not be copied, reprinted or reproduced in any form, either wholly or in part, without the written consent of Prysmian Group. The information is believed to be correct at the time of issue. Prysmian Group reserves the right to amend this specification without prior notice. This specification is not contractually valid unless specifically authorised by Prysmian Group.